



T5 Grow Light System

ASSEMBLY INSTRUCTIONS

PARTS LIST

1-Top crossbar

2-Upright legs

2-Foot pieces

2-Triangle support plates

2-Trapezoidal support plates

1-T5 fluorescent fixture

*Recommended Tools

Screwdriver (not included)

1. For easiest assembly, first slide the Trapezoidal support plates to install the Foot pieces and the Leg uprights, then fix screws in place, as shown in Fig. 1
2. Set the Top crossbar onto a workbench or the floor with the screws up. Slide Triangle support plates to install the other end of the legs and the Top crossbar, then fix screws in place, as shown in Fig. 2
3. Stand up. We recommend positioning it over a chair or other elevated surface in preparation for hanging your light fixture.
4. Set the fixture under the top crossbar and pull down the hanger cables. Attach the hole on the T5 fixture to the hangers on the suspension cables.(see Fig. 3)
5. You can control the fixture with ON/OFF switch (see Fig. 4).
6. You also can regulate the height of your light fixture by using the pull cord and locking mechanism (see Fig. 5).

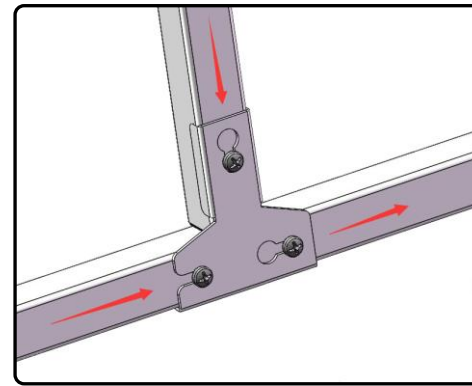


Fig. 1

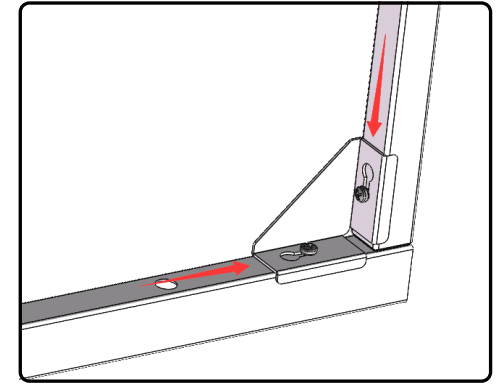


Fig. 2

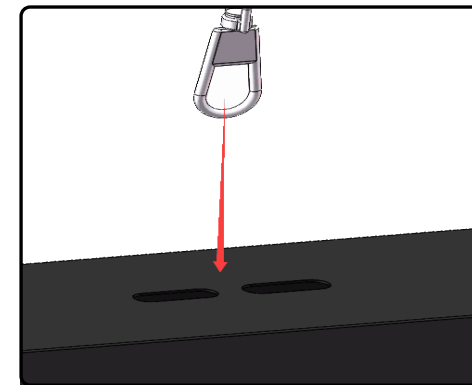


Fig. 3

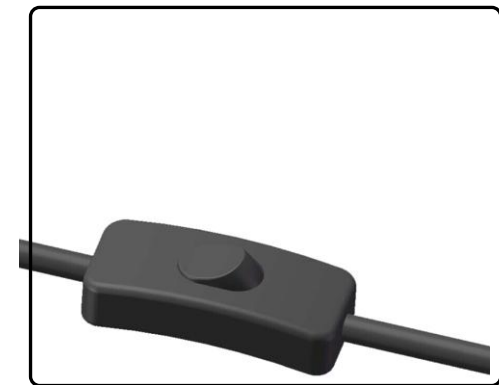


Fig. 4



Fig.5